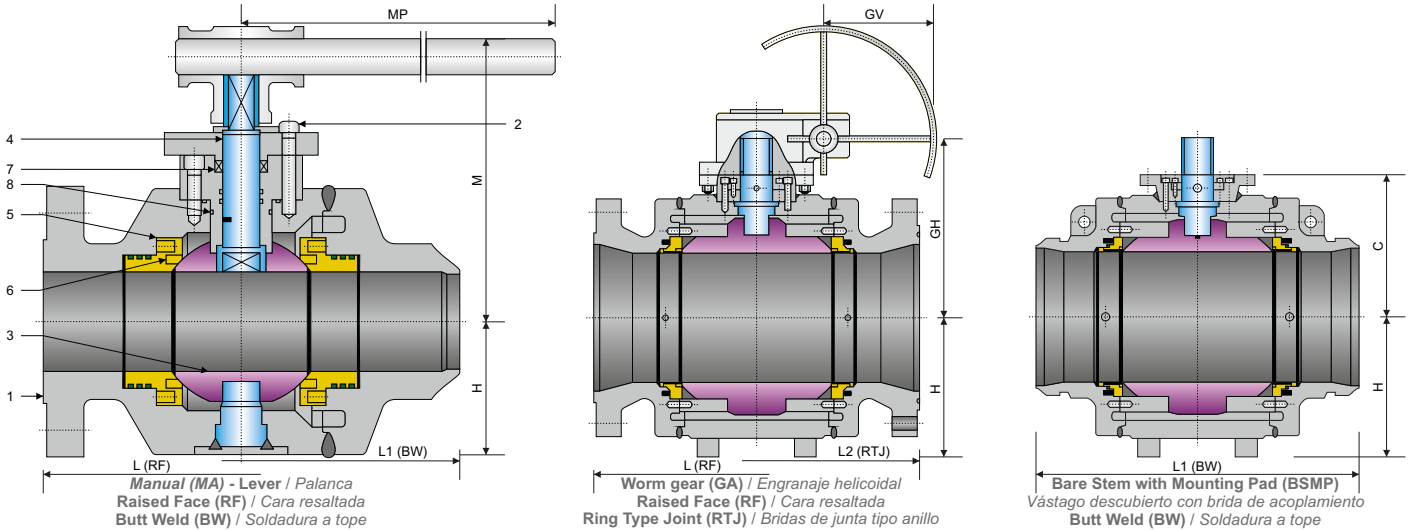


BALL VALVES / Válvulas de bola
TRUNNION
TUBE-SHAPE BODY / Cuerpo en forma de tubo
CLASS / Clase 400 - PN63 / PN64
Fig. 5TSR04 REDUCED BORE / Paso reducido

BALL



SPECIFICATIONS / Especificaciones

API / ASME

| DESIGN Diseño | FACE TO FACE Cara a cara | CONNECTION END / Extremos | | MATERIAL | TEST & CHECK Prueba y Verificación | FIRE TEST Prueba de fuego | SIZES Rango |
|------------------|-----------------------------|---------------------------|-----------------------------|-------------|---------------------------------------|------------------------------|---------------------|
| | | FLANGED Bridada | BUTT WELD Soldada a tope | | | | |
| API 6D | API 6D | ASME B16.5 | ASME B16.25 | NACE MR0175 | API 598 | API 6FA API 607 | 3" x 2" - 36" x 30" |
| API 6D | API 6D | MSS SP-44 | | | API 6D | | |
| ASME B16.34 | ASME B16.10 | ASME B16.47 | | | ASME B16.34 | | |

MAIN PARTS MATERIAL / Material de las piezas principales

| Nº | PART NAME Nombre de pieza | CARBON STEEL Acero al Carbono | LOW TEMPERATURE STEEL Acero baja temperatura (-40°C) | STAINLESS STEEL Acero Inoxidable |
|----|----------------------------------|--|---|-------------------------------------|
| 1 | Body / Cuerpo | A105 | A350 - LF2 | A182 - F304 / A182 - F316 |
| 2 | Stud Nut / Tuerca Espárrago (1) | A193 - B7 / A194 - 2H | A320 - L7 / A194 - 4 | A193 - B8 / A194 - 8 |
| 2 | Stud Nut / Tuerca Espárrago (2) | A193 - B7M / A194 - 2HM | A320 - L7M / A194 - 4 | A193 - B8M / A194 - 8M |
| 3 | Ball / Bola | A105 + ENP | A350 - LF2 + ENP | A182 - F304 / A182 - F316 |
| 4 | Stem / Vástago (1) | A276 - 410 / A276 - 420 | A350 - LF2 / A276 - 304 | A276 - 304 / A276 - 316 |
| 4 | Stem / Vástago (2) | 17 - 4PH | For use at low temperatures resilient steels Usa a bajas temperaturas los aceros elásticos | A276 - 304 / A276 - 316 |
| 5 | Seat / Asiento | A105 + ENP | A350 - LF2 + ENP | A182 - F304 / A182 - F316 |
| 6 | Seat insert / Inserto de asiento | Standard: PTFE or Nylon - Special: Peek / Devlon / Viton / Estándar PTFE o Nilón - Especial: Peek / Devlon / Viton | | |
| 7 | O-Ring | NBR or Viton / NBR o Viton | HNBR or Viton / HNBR o Viton | Viton |
| 8 | Gasket / Junta | Graphite + Stainless Steel / Grafito + Acero Inoxidable | | |

MAIN EXTERNAL DIMENSIONS / Dimensiones externas principales

CLASS 400 - PN63 / PN64 (NPS 3" x 2" - 36" x 30")

| Reduced bore / Paso reducido | | | | | | | | | | | | |
|------------------------------|--------------|-----------|------------|-------------|-----|-----|-----|-----|-----|-----|----------------|----------------------------|
| DN (mm.) | NPS (in.) | L (RF) | L1 (BW) | L2 (RTJ) | MA | | GA | | C | H | W / P (Kg.) | TORQUE(Nm) Esf. torsión |
| | | | | | MH | MP | GH | GV | | | | |
| 80x50 | 3" x 2" | 356 | 356 | 359 | 136 | 500 | - | - | 105 | 100 | 36 | 124 |
| 100x80 | 4" x 3" | 406 | 406 | 410 | 191 | 650 | 220 | 300 | 165 | 130 | 47 | 265 |
| 150x100 | 6" x 4" | 495 | 495 | 498 | 244 | 800 | 254 | 400 | 210 | 162 | 127 | 467 |
| 200x150 | 8" x 6" | 597 | 597 | 600 | - | - | 350 | 400 | 243 | 203 | 280 | 650 |
| 250x200 | 10" x 8" | 673 | 673 | 676 | - | - | 385 | 400 | 285 | 257 | 508 | 1806 |
| 300x250 | 12" x 10" | 762 | 762 | 765 | - | - | 440 | 500 | 323 | 310 | 746 | 2638 |
| 350x250 | 14" x 10" | 826 | 826 | 829 | - | - | 440 | 500 | 323 | 310 | 845 | 2638 |
| 350x300 | 14" x 12" | 826 | 826 | 829 | - | - | 490 | 500 | 370 | 350 | 1060 | 2929 |
| 400x300 | 16" x 12" | 902 | 902 | 905 | - | - | 490 | 500 | 370 | 350 | 1230 | 2929 |
| 400x350 | 16" x 14" | 902 | 902 | 905 | - | - | 510 | 500 | 385 | 360 | 1330 | 3971 |
| 450x350 | 18" x 14" | 978 | 978 | 981 | - | - | 510 | 500 | 385 | 360 | 1480 | 3971 |
| 450x400 | 18" x 16" | 978 | 978 | 981 | - | - | 545 | 500 | 428 | 413 | 1592 | 6307 |
| 500x400 | 20" x 16" | 1054 | 1054 | 1060 | - | - | 545 | 500 | 428 | 413 | 1887 | 6307 |
| 500x450 | 20" x 18" | 1054 | 1054 | 1060 | - | - | 630 | 600 | 465 | 430 | 2197 | 9165 |
| 600x500 | 24" x 20" | 1232 | 1232 | 1241 | - | - | 670 | 600 | 500 | 490 | 3160 | 12155 |
| 750x600 | 30" x 24" | 1524 | 1524 | 1537 | - | - | 772 | 600 | 590 | 570 | 5580 | 21550 |
| 900x750 | 36" x 30" | 1880 | 1880 | 1895 | - | - | 860 | 800 | 705 | 750 | 9520 | 34550 |

Notes / Notas:

- Approximate weights / Pesos aproximados.
- Larger diameters on request / Diámetros superiores bajo petición.
- Other material on request / Otros materiales bajo petición.
- (1) Conventional type / Tipo convencional
- (2) Sulfur resistant / Resistente al azufre

UNITS / Unidades mm